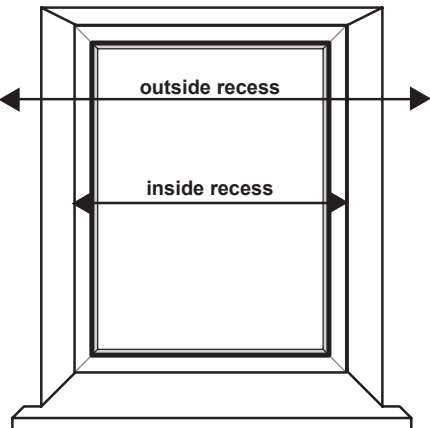


How to fit wooden blinds

1 During the ordering process, you will have selected either 'inside recess' or 'outside recess' measurement's.

outside recess - face fix brackets

inside recess - top fix or face fix brackets

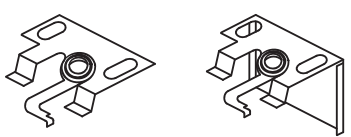


2 Brackets

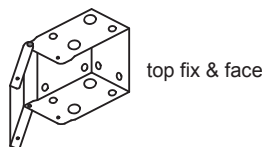
There are 2 different brackets available for wooden blinds, swivel brackets (available in top-fix and face-fix) and cage brackets.

Follow the instructions for the brackets that you received with your blinds.

swivel bracket
top fix top fix & face



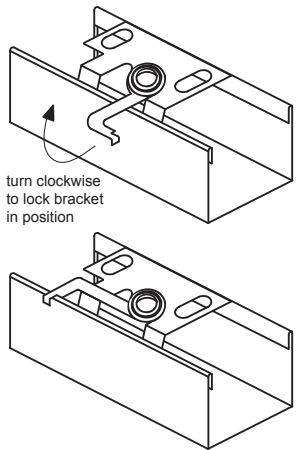
cage bracket
top fix & face



3 Swivel Bracket

These brackets can fit anywhere along the blind.

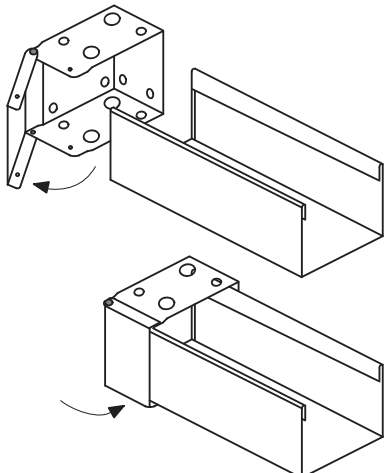
Slide the bracket in to the head rail and then swivel the bracket arm clockwise to lock the blind in position



4 Cage Bracket

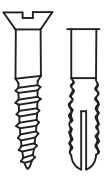
These brackets come in a pair, one for each end of the blind.

The brackets can be fitted using any of the holes.

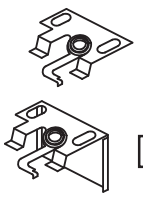


In the box

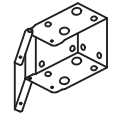
x4



x2

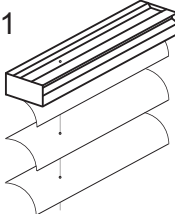


x2



or

x1




Tools Suggested

screwdriver
drill (5mm)
pencil
tape measure
spirit level